

United States Patent [19]

Brunkan

[11] Patent Number: **4,877,027**

[45] Date of Patent: **Oct. 31, 1989**

[54] **HEARING SYSTEM**

[76] Inventor: **Wayne B. Brunkan**, P.O. Box 2411, Goleta, Calif. 93118

[21] Appl. No.: **202,679**

[22] Filed: **Jun. 6, 1988**

[51] Int. Cl.⁴ **A61N 5/00**

[52] U.S. Cl. **128/420.5**

[58] Field of Search **128/420.5, 804, 419 R, 128/421, 422, 746; 381/68**

[56] **References Cited**

U.S. PATENT DOCUMENTS

3,629,521 12/1971 Puharich et al. 128/402.5
3,766,331 10/1973 Zink 128/420.5

OTHER PUBLICATIONS

Cain et al, "Mammalian Auditory Responses . . .", IEEE Trans Biomed Eng, pp. 288-293, 1978.
Frey et al, "Human Perception . . . Energy" Science, 181,356-358, 1973.

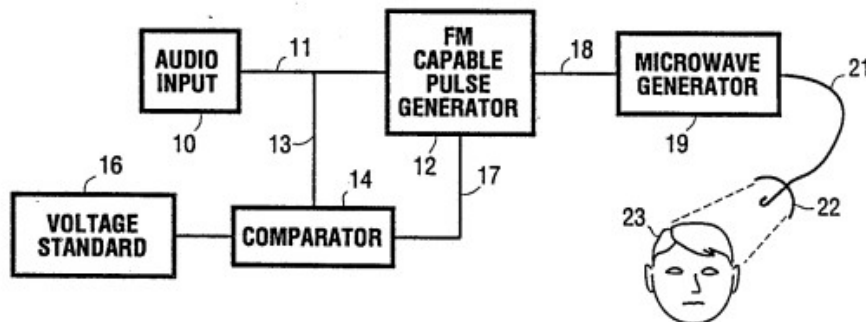
Jaski, "Radio Waves & Life", Radio-Electronics, pp. 45-45, Sep. 1960.
Microwave Auditory Effects and Applications, Lin, 1978, pp. 176-177.

Primary Examiner—Lee S. Cohen
Attorney, Agent, or Firm—Harry W. Brelsford

[57] **ABSTRACT**

Sound is induced in the head of a person by radiating the head with microwaves in the range of 100 megahertz to 10,000 megahertz that are modulated with a particular waveform. The waveform consists of frequency modulated bursts. Each burst is made up of ten to twenty uniformly spaced pulses grouped tightly together. The burst width is between 500 nanoseconds and 100 microseconds. The pulse width is in the range of 10 nanoseconds to 1 microsecond. The bursts are frequency modulated by the audio input to create the sensation of hearing in the person whose head is irradiated.

8 Claims, 1 Drawing Sheet



- [54] APPARATUS AND METHOD FOR REMOTELY MONITORING AND ALTERING BRAIN WAVES
- [75] Inventor: Robert G. Malech, Plainview, N.Y.
- [73] Assignee: Dorne & Margolin Inc., Bohemia, N.Y.
- [22] Filed: Aug. 5, 1974
- [21] Appl. No.: 494,518

- [52] U.S. Cl. 128/2.1 B
- [51] Int. Cl.² A61B 5/04
- [58] Field of Search 128/1 C, 1 R, 2.1 B, 128/2.1 R, 419 R, 422 R, 420, 404, 2 R, 2 S, 2.05 R, 2.05 V, 2.05 F, 2.06 R; 340/248 A, 258 A, 258 B, 258 D, 229

- [56] **References Cited**
UNITED STATES PATENTS
- | | | | |
|-----------|---------|---------------|------------|
| 2,860,627 | 11/1958 | Harden et al. | 128/2.1 B |
| 3,096,768 | 7/1963 | Griffith, Jr. | 128/420 |
| 3,233,450 | 2/1966 | Fry | 128/2.1 R |
| 3,483,860 | 12/1969 | Namerow | 128/2.05 F |
| 3,495,596 | 2/1970 | Condict | 128/1 C |

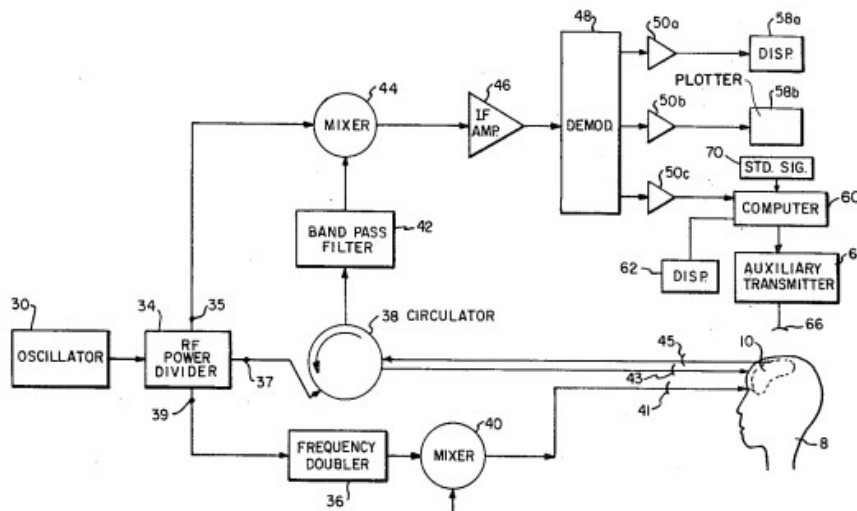
- | | | | |
|-----------|---------|-----------------|-----------|
| 3,555,529 | 1/1971 | Brown et al. | 128/2.1 R |
| 3,773,049 | 11/1973 | Rabichev et al. | 128/1 C |
| 3,796,208 | 3/1974 | Bloice | 128/2 S |

Primary Examiner—William E. Kamm
Attorney, Agent, or Firm—Darby & Darby

[57] **ABSTRACT**

Apparatus for and method of sensing brain waves at a position remote from a subject whereby electromagnetic signals of different frequencies are simultaneously transmitted to the brain of the subject in which the signals interfere with one another to yield a waveform which is modulated by the subject's brain waves. The interference waveform which is representative of the brain wave activity is re-transmitted by the brain to a receiver where it is demodulated and amplified. The demodulated waveform is then displayed for visual viewing and routed to a computer for further processing and analysis. The demodulated waveform also can be used to produce a compensating signal which is transmitted back to the brain to effect a desired change in electrical activity therein.

11 Claims, 2 Drawing Figures





US005356368A

United States Patent [19]

[11] Patent Number: **5,356,368**

Monroe

[45] Date of Patent: * Oct. 18, 1994

[54] METHOD OF AND APPARATUS FOR INDUCING DESIRED STATES OF CONSCIOUSNESS

[75] Inventor: Robert A. Monroe, Nelson County, Va.

[73] Assignee: Interstate Industries Inc., Faber, Va.

[*] Notice: The portion of the term of this patent subsequent to May 25, 2010 has been disclaimed.

[21] Appl. No.: 664,176

[22] Filed: Mar. 1, 1991

[51] Int. Cl.⁵ A61M 21/00

[52] U.S. Cl. 600/28; 128/732

[58] Field of Search 600/26-28; 128/731-732

[56] References Cited

U.S. PATENT DOCUMENTS

2,466,054	4/1949	Siebel .
3,160,159	12/1964	Hoody et al. .
3,576,185	4/1971	Schulz et al. .
3,712,292	1/1973	Zentmeyer, Jr. .
3,753,433	8/1973	Bakerich et al. .
3,826,243	7/1974	Anderson .
3,837,331	9/1974	Ross .
3,884,218	5/1975	Monroe .
4,034,741	7/1977	Adams et al. .
4,141,344	2/1979	Barbara .

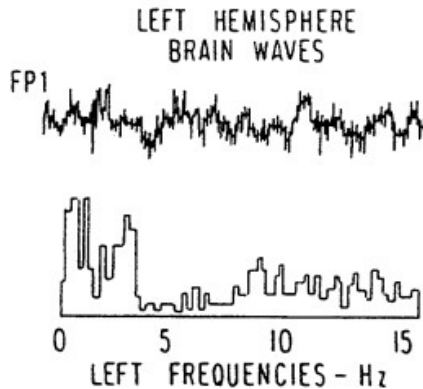
4,227,516	10/1980	Meland et al. .	
4,335,710	6/1982	Williamson .	
4,573,449	3/1986	Warnke .	
4,834,701	5/1989	Masaki .	
4,883,067	11/1989	Knispel et al.	600/28
5,036,858	8/1991	Carter et al. .	
5,101,831	4/1992	Koyama et al.	600/26

Primary Examiner—Lee S. Cohen
Assistant Examiner—J. P. Lacyk
Attorney, Agent, or Firm—Sughrue, Mion, Zinn, Macpeak & Seas

[57] ABSTRACT

Improved methods and apparatus for entraining human brain patterns, employing frequency following response (FFR) techniques, facilitate attainment of desired states of consciousness. In one embodiment, a plurality of electroencephalogram (EEG) waveforms, characteristic of a given state of consciousness, are combined to yield an EEG waveform to which subjects may be susceptible more readily. In another embodiment, sleep patterns are reproduced based on observed brain patterns during portions of a sleep cycle; entrainment principles are applied to induce sleep. In yet another embodiment, entrainment principles are applied in the work environment, to induce and maintain a desired level of consciousness. A portable device also is described.

28 Claims, 21 Drawing Sheets





US007220852B1

(12) **United States Patent**
Rota et al.(10) **Patent No.:** **US 7,220,852 B1**
(45) **Date of Patent:** **May 22, 2007**(54) **CORONAVIRUS ISOLATED FROM HUMANS**

FOREIGN PATENT DOCUMENTS

(75) Inventors: **Paul A. Rota**, Decatur, GA (US); **Larry J. Anderson**, Atlanta, GA (US); **William J. Bellini**, Lilburn, GA (US); **Cara Carthel Burns**, Avondale Estates, GA (US); **Raymond Campagnoli**, Decatur, GA (US); **Qi Chen**, Marietta, GA (US); **James A. Comer**, Decatur, GA (US); **Shannon L. Emery**, Lusaka (ZM); **Dean D. Erdman**, Decatur, GA (US); **Cynthia S. Goldsmith**, Lilburn, GA (US); **Charles D. Humphrey**, Lilburn, GA (US); **Joseph P. Icenogle**, Atlanta, GA (US); **Thomas G. Ksiazek**, Lilburn, GA (US); **Stephan S. Monroe**, Decatur, GA (US); **William Allan Nix**, Bethlehem, GA (US); **M. Steven Oberste**, Lilburn, GA (US); **Teresa C. T. Peret**, Atlanta, GA (US); **Pierre E. Rollin**, Lilburn, GA (US); **Mark A. Pallansch**, Lilburn, GA (US); **Anthony Sanchez**, Lilburn, GA (US); **Suxiang Tong**, Alpharetta, GA (US); **Sherif R. Zaki**, Atlanta, GA (US)

WO WO 2004/085633 * 10/2004
WO WO 2004/092360 * 10/2004

OTHER PUBLICATIONS

GenBank Accession No. AY274119, "SARS Coronavirus Tor2, complete genome," version AY274119.1, Apr. 14, 2003.*
GenBank Accession No. AY278487, "SARS coronavirus BJ02, partial genome," version AY278487.1, Apr. 21, 2003.*
Genbank Accession No. AY278554, "SARS coronavirus CUHK-W1, complete genome," version AY278554.1, Apr. 18, 2003.*
GenBank Accession No. AY278491, "SARS Coronavirus HKU-39849, complete genome," version AY278491.1, Apr. 18, 2003.*
SARS-associated Coronavirus. Genomic Sequence Availability. [online] [retrieved on Aug. 8, 2005]. Retrieved from the Internet <URL: <http://www.bcgsc.ca/bioinfo/SARS->>.*
GenBank Accession No. AY274119, Apr. 14, 2003.
GenBank Accession No. AY278741, Apr. 21, 2003.
"Update: Outbreak of Severe Acute Respiratory Syndrome—Worldwide, 2003," *MMWR Weekly* 52:241-248 (2003).
Emery et al., "Real-Time Reverse Transcription-Polymerase Chain Reaction Assay for SARS-Associated Coronavirus," *Emerg. Infect. Diseases* 10:311-316 (2004).
Goldsmith et al., "Ultrastructural Characterization of SARS Coronavirus," *Emerg. Infect. Diseases* 10:320-326 (2004).
Ksiazek et al., "A Novel Coronavirus Associated with Severe Acute Respiratory Syndrome," *N. Eng. J. Med.* 348:1953-1966 (2003).
Luo and Luo, "Initial SARS Coronavirus Genome Sequence Analysis Using a Bioinformatics Platform," *2nd Asia-Pacific Bioinformatics Conference (APBC2004)*, Dunedin, New Zealand (2004).
Marra et al., "The Genome Sequence of the SARS-Associated Coronavirus," *Science* 300:1393-1404 (2003).
Supplementary Online Material for Marra et al. <<www.sciencemag.org/cgi/content/full/1085953/DC1>>.
Rota et al., "Characterization of a Novel Coronavirus Associated with Severe Acute Respiratory Syndrome," *Science* 300:1394-1399 (2003).
Supplementary Online Material for Rota et al. <<www.sciencemag.org/cgi/content/full/1085952/DC1>>.

* cited by examiner

Primary Examiner—Mary E. Mosher
(74) *Attorney, Agent, or Firm*—Klarquist Sparkman LLP

(57) **ABSTRACT**

Disclosed herein is a newly isolated human coronavirus (SARS-CoV), the causative agent of severe acute respiratory syndrome (SARS). Also provided are the nucleic acid sequence of the SARS-CoV genome and the amino acid sequences of the SARS-CoV open reading frames, as well as methods of using these molecules to detect a SARS-CoV and detect infections therewith. Immune stimulatory compositions are also provided, along with methods of their use.

(73) Assignee: **The United States of America as represented by the Secretary of the Department of Health and Human Services, Centers for Disease Control and Prevention**, Washington, DC (US)

(*) Notice: Subject to any disclaimer, the term of this patent is extended or adjusted under 35 U.S.C. 154(b) by 0 days.

(21) Appl. No.: **10/822,904**(22) Filed: **Apr. 12, 2004****Related U.S. Application Data**

(60) Provisional application No. 60/465,927, filed on Apr. 25, 2003.

(51) **Int. Cl.**
C12N 15/50 (2006.01)
C12N 7/00 (2006.01)

(52) **U.S. Cl.** **536/23.72**; 435/235.1

(58) **Field of Classification Search** 536/23.72;
514/44; 435/235.1, 320.1
See application file for complete search history.

(56) **References Cited**

U.S. PATENT DOCUMENTS

2005/0181357 A1* 8/2005 Petris et al. 435/5

1 Claim, 7 Drawing Sheets



US 20200275874A1

(19) **United States**

(12) **Patent Application Publication** (10) **Pub. No.: US 2020/0275874 A1**
LI (43) **Pub. Date: Sep. 3, 2020**

(54) **METHODS AND AUTOMATIC SYSTEM TO IDENTIFY WHO IS VICTIMS OF ABUSE VOICE TO SKULL & REMOTE NEURAL MONITORING TECHNOLOGY AND IDENTIFY WHO IS REMOTE ATTACKER OR OPERATOR USING DEVICE OF VOICE TO SKULL & REMOTE NEURAL MONITORING**

(52) **U.S. Cl.**
CPC *A61B 5/165* (2013.01); *A61B 5/0006* (2013.01); *A61B 5/0022* (2013.01); *A61B 5/164* (2013.01)

(57) **ABSTRACT**

(71) Applicant: **Da LI**, West Covina, CA (US)
(72) Inventor: **Da LI**, West Covina, CA (US)
(21) Appl. No.: **16/558,040**
(22) Filed: **Aug. 31, 2019**

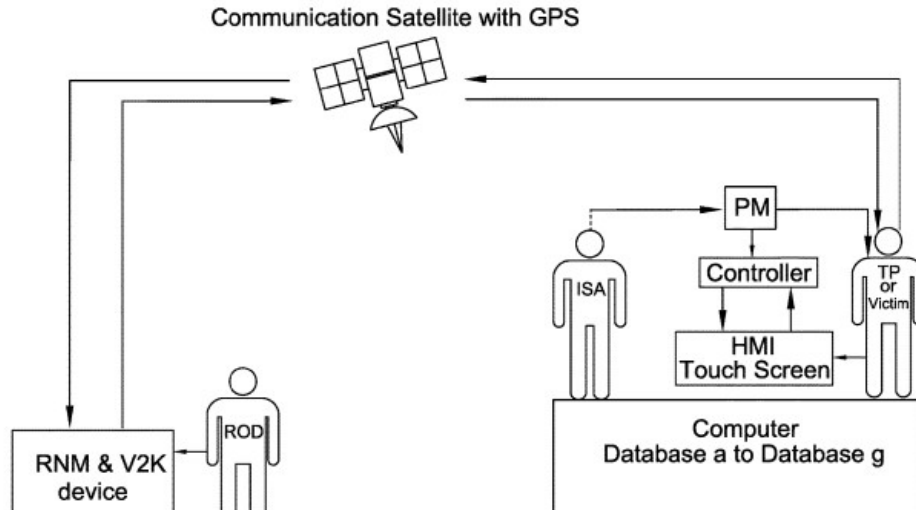
A method to identify victim of abuse and remote operator using voice to skull and remote neural monitoring, comprising the steps of: using a database in a computer consisting of one or more of disgusting items, funny items, anti-political trend and anti-religious belief items, countries and races items, foreign clubs or organizations items, languages and dialects items, and scientific knowledge items, tested person selecting one item which only causes the remote operator to have psychological response and does not cause the tested person to have psychological response, instructing the tested person to launch imaginary psychological attack, assigning test questions based on the imaginary psychological attack and obtaining answers from the tested person in response to the test questions, then using polygraph meter to analysis the answers and assigning true or false status to the answers.

Related U.S. Application Data

(60) Provisional application No. 62/812,915, filed on Mar. 1, 2019.

Publication Classification

(51) **Int. Cl.**
A61B 5/16 (2006.01)
A61B 5/00 (2006.01)



US Patent#	Description	Inventor	Filed	Issued
<u>US3014477</u>	Hypnotic Inducer (Mind Control Machine)	Carlin	1956	1961
<u>US3060795</u>	Apparatus For Producing Visual Stimulation (Subconscious Transmission via Movie Film)	Corriganetal	1958	1962
<u>US3278676</u>	Apparatus For Producing Visual and Auditory Stimulation (Subconscious Transmission via TV)	Becker	1958	1966
<u>US3393279</u>	Nervous System Excitation Device	Flanagan	1962	1968
<u>US3563246</u>	Method and Apparatus For Improving Neural Performance In Human Subjects By Electrotherapy	Puharich	1967	1971
<u>US3629521</u>	Hearing Systems (RF/Microwave)	Puharich	1970	1971
<u>US3712292</u>	Method Of and Apparatus For Producing Swept Frequency Modulated Audio Signal Patterns For Inducing Sleep (Brain Frequencies Broadcast)	Zentmayer, Jr.	1971	1973
<u>US3884218</u>	Method of Inducing and Maintaining Stages Of Sleep in the Human Being (FFR - Frequency Following Response - Microwave)	Monroe	1970	1975
<u>US3951134</u>	Apparatus and Method For Remotely Monitoring and Altering Brain Waves (RF/Electromagnetic Waves)	Malech	1974	1976
<u>US4395600</u>	Auditory Subliminal Message System and Method (Subliminal Brainwash via Music or Other Sound)	Lundy	1980	1983
<u>US4717343</u>	Method Of Changing A Person's Behavior (Subconscious Brainwash via Video)	Densky	1986	1988
<u>US477529</u>	Auditory Subliminal Programming System (Silent Brainwash Via Music or Other Sound)	Schultz/Dolejs	1987	1988
<u>US4834701</u>	Apparatus For Inducing Frequency Reduction In Brain Wave (FFR - Brain Frequencies Transmission)	Masaki	1985	1989
<u>US4858612</u>	Hearing Device (Microwave Hearing)	Stocklin	1983	1989
<u>US4877027</u>	Hearing System (Microwave Hearing via open air broadcast)	Brunkan	1988	1989
<u>US5159703</u>	Silent Subliminal Presentation System (aka Silent Sound - Microwave)	Lowery	1989	1992
<u>US5356368</u>	Method Of and Apparatus For Inducing Desired States Of Consciousness (FFR/EEG Waveforms By Broadcast)	Monroe	1991	1994
<u>US5774088</u>	Method and System For Warning Birds Of Hazards (Microwave Hearing)	Kreithen	1997	1998
<u>US5889870</u>	Acoustic Heterodyne Device and Method (Ultrasound Ventriloquist Effect)	Norris	1996	1999
<u>US6011991</u>	Communication System and Method Including Brain Wave Analysis and/or Use of Brain Activity (Remote Viewing)	Mardirossian	1998	2000
<u>US6052336</u>	Apparatus and Method Of Broadcasting Audible Sound Using Ultrasonic Sound As A Carrier (Ultrasound)	Lowery	1998	2000
<u>US6470214</u>	Method and device For Implementing The Radio Frequency Hearing Effect (Microwave Hearing)	O'Loughlin/Loree	1992	2002
<u>US6587729</u>	Apparatus For Audibly Communicating Speech Using The Radio Frequency Hearing Effect (Microwave Hearing)	O'Loughlin/Loree	2002	2003

solocaust



6,66 Hz

SOLOCAUST



MK ULTRA MIND CONTROL

Patent DE10253433A1 – Thought transmission unit sends modulated electromagnetic wave beams to human receiver to influence thoughts and actions without electronic receiver (2002)

Patent US6011991 – Communication system and method including brain wave analysis and/or use of brain activity (1998) <https://stop5g.cz>

Patent US6039688 – Therapeutic behavior modification program, compliance monitoring and feedback system – Implants (1997)

Patent US6587729 – Apparatus for audibly communicating speech using the radio frequency hearing effect (1996) <https://stop007.org/>

Patent US5935054A Remote magnetic manipulation of nervous systems (1995)

Patent US5211129 – Syringe-implantable identification transponder (1991)

voices in head



Patent US4877027 – Hearing system (1988)

GŁOSY W GŁOWIE STIMME IM KOPF



Patent DE3628420A1 – Device for reproducing voice information in a subliminal technique (1986)

Patent US4858612 – Hearing device (1983)

Patent US4395600 – Auditory subliminal message system and method (1980)

Patent US3951134 – Apparatus and method for remotely monitoring and altering brain waves (1974)

k
o
c
h
a
m
C
ie

ic
h
li
e
b
e
D
ic
h

il
o
v
e
y
o
u



DOSEwhoCANNOTrememberTHEpastAREcondemnedTOrepeatIT.G.SANTAANA I WAS ONLY WATCHING Mr. FEAR & Mrs. Noreaction DE10253433A1 US5356368A US4877027



dos
ewh
oca
nno
tre
me
mb
erth
epa
star
eco
nde
mn
edt
ore
pea
lit.g.
sant
aan
aiw
aso
nly
wat
chin
gMr
.FE
ARE
Mrs.
NoR
eact
ion

сканування мозку



הערן קולות
kuulla
ääniä
truth
makes
free



sesler duymak сканування мозкуsystemme hoor stemmen horen
1. patent DE10253433A1 reading minds, czytanie myśli,
 sentire le voci nghe giọng nói gedankenübertragung, thought transmission høre
 bihistina dengan čuvši glasove شنیدن صداها слышать голоса stemmer
 we deserve the truth
 počut hlasy бачуць галасы дауыстарды есту maqalka codadka patents
2. patent US5356368A wybudzanie ze snu, ending are real
 sleep, brain entrainment, nihayat alnawm чувши гласове
 ใต้อินเสียง hōra röster לְשִׁמּוֹעַ קוֹלוֹת duke dēgjuar
 sentire le voci чути голоси escuchando voces entendre des voix
3. patent US4877027 слышать голоса 聽到聲音
 бачуць галасы aavvaajen sunana 幻聽 дуу хоолойг сонсох styśzenie
 escuchando voces nghe giọng nói hearing voices glosów

© Marcia Schalle

(18) Bundesrepublik Deutschland
Deutscher Patent- und Markenamt

(90) DE 102 53 433 A1 2004, 05.27



Offenlegungsschrift

(51) Int. Cl. A61M 27/00

H04B 7/04

H04B 7/08

(72) Erfinder

Georg Altmann

galt

galt

galt

galt

galt

galt

galt

galt

galt

galt

galt

galt

galt

galt

galt

galt

galt

galt

galt

galt

galt

galt

galt

galt

galt

galt

galt

galt

galt

galt

galt

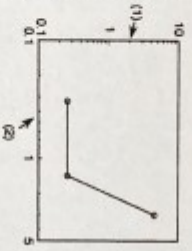
galt

galt

galt

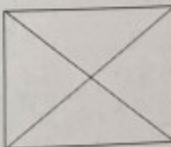
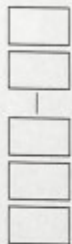
(34) Beschreibung: Die Erfindung betrifft eine...

(31) Zusammenfassung: Die Erfindung betrifft eine...
(32) Anmerkung: ...
(33) Offenlegungsschrift 27.05.2004



www.targetedjustice.com

to be (smile, black, white...) or not to be (cry, white, black...)





(19)
Bundesrepublik Deutschland
Deutsches Patent- und Markenamt



(10) DE 102 53 433 A1 2004.05.27

(12)

Offenlegungsschrift

(21) Aktenzeichen: 102 53 433.0
(22) Anmeldetag: 11.11.2002
(43) Offenlegungstag: 27.05.2004

(51) Int Cl.⁷: A61M 21/00
H04B 7/00

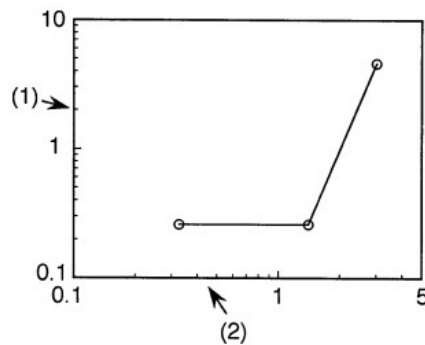
(71) Anmelder:
Nötting, Bengt, Dr., 13187 Berlin, DE

(72) Erfinder:
gleich Anmelder

Die folgenden Angaben sind den vom Anmelder eingereichten Unterlagen entnommen

(54) Bezeichnung: Gedankenübertragung

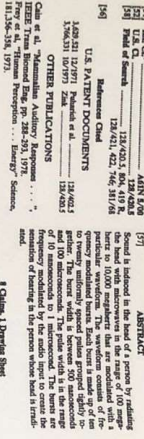
(57) Zusammenfassung: Die Erfindung betrifft Einrichtungen und Verfahren zur Übertragung von Informationen über größere Entfernungen mittels elektromagnetischer Strahlung ohne Notwendigkeit elektronischer Hilfsmittel seitens des Empfängers zur Umwandlung der elektromagnetischen Strahlung in akustische oder optische Signale, wie z. B. Radio, Fernseher oder Mobilfunkgerät. Erfindungsgemäß wird gebündelte modulierte elektromagnetische Strahlung in den Organismus des Empfängers derart gesendet, daß bei diesem Reaktionen ausgelöst werden, die einer beabsichtigten Gedankenübertragung entsprechen. Die Erfindung kann Anwendung finden z. B. (a) zur Unterstützung der Kommunikation mit Personen in Bunkern und verschütteten Personen nach Erdbeben, (b) zur unauffälligen Nachrichtenübertragung an Sicherheitspersonal, (c) zur Unterstützung von wichtigen Verhandlungen und in der Öffentlichkeit vortragenden Personen, (d) zur Sensibilisierung von Personen bezüglich wichtiger Themen in Notfallsituationen, z. B. durch Sendung von Gefahrenhinweisen, (e) in Kombination mit Detektionsmethoden zum Profiling und Gedankenlesen von Kriminellen, (f) zur Therapie und Prophylaxe von bestimmten pathologischen Beeinträchtigungen des Hirnstoffwechsels und zur Beeinflussung von bestimmten nichtpathologischen Limitierungen, Stresssituationen und Alterungsprozessen des Hirnstoffwechsels.



Check for updates: Hearing voices, VOICE TO SKULL, VPK - welcome to matrix
 Stimme im Kopf - 30 Years of Tontra

United States Patent 1/05 Patent Number: **4,877,027**

Abstract:
 [54] HEARING SYSTEM
 [57] Abstract: The present invention provides a hearing system for hearing impaired persons. The system includes a microphone, an amplifier, and a speaker. The microphone receives sound waves and converts them into electrical signals. The amplifier amplifies these signals, and the speaker converts the amplified signals back into sound waves that are heard by the user.



https://patents.google.com/patent/US4877027A/en

United States Patent 1/01 Patent Number: **5,355,368**

Abstract:
 [54] METHOD OF AND APPARATUS FOR DICHROIC FILTERS
 [57] Abstract: A method and apparatus for dichroic filters. The method involves depositing a thin layer of a dielectric material onto a substrate, followed by a thin layer of a metal material. This process is repeated to form a stack of alternating layers. The thickness of each layer is controlled to produce the desired optical properties of the filter.

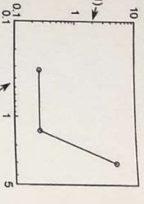
References Cited:
 [1] U.S. Patent 4,719,884
 [2] U.S. Patent 4,719,885
 [3] U.S. Patent 4,719,886
 [4] U.S. Patent 4,719,887
 [5] U.S. Patent 4,719,888

https://patents.google.com/patent/US5353688A/en

thought transmission official
 gedächtnistransferung document
 (10) DE 102 53 433 A1 2004 05 27

Offenlegungsschrift
 (19) **DE 102 53 433 A1 2004 05 27**
 (11) **AS/16 21/00**
 (12) **AS/16 21/00**
 (13) **AS/16 21/00**
 (14) **AS/16 21/00**

Zusammenfassung:
 [54] Offenlegungsschrift über einen Vorrichtung zur Übertragung von Gedanken.
 [57] Zusammenfassung: Eine Vorrichtung zur Übertragung von Gedanken, bestehend aus einem Mikrofon, einem Verstärker und einem Empfänger. Das Mikrofon wandelt Gedanken in elektrische Signale um, die durch den Verstärker verstärkt werden und über den Empfänger an den Empfänger übertragen werden.



DE 102 53 433 A1 2004 05 27

Beschreibung:
 Hintergrund der Erfindung
 Die Erfindung betrifft eine Vorrichtung zur Übertragung von Gedanken. Bekannte Vorrichtungen zur Übertragung von Gedanken verwenden eine Vielzahl von Methoden, um Gedanken in elektrische Signale umzuwandeln. Diese Vorrichtungen sind jedoch oft komplex und teuer.
 [54] Ziel der Erfindung ist die Erfindung einer Vorrichtung zur Übertragung von Gedanken, die einfach zu bedienen und kostengünstig ist.

https://patents.google.com/patent/DE10253433A1/de

STIMME IM KOPF VOICES IN HEAD
GLOSY W GLOWIE
US4877027A
 google



ICH WOLLE

United States Patent 1/01

Abstract:
 [54] HEARING SYSTEM
 [57] Abstract: The present invention provides a hearing system for hearing impaired persons. The system includes a microphone, an amplifier, and a speaker. The microphone receives sound waves and converts them into electrical signals. The amplifier amplifies these signals, and the speaker converts the amplified signals back into sound waves that are heard by the user.

References Cited:
 [1] U.S. Patent 4,719,884
 [2] U.S. Patent 4,719,885
 [3] U.S. Patent 4,719,886
 [4] U.S. Patent 4,719,887
 [5] U.S. Patent 4,719,888

https://patents.google.com/patent/US4877027A/en



WAHREHEIT FREI

